

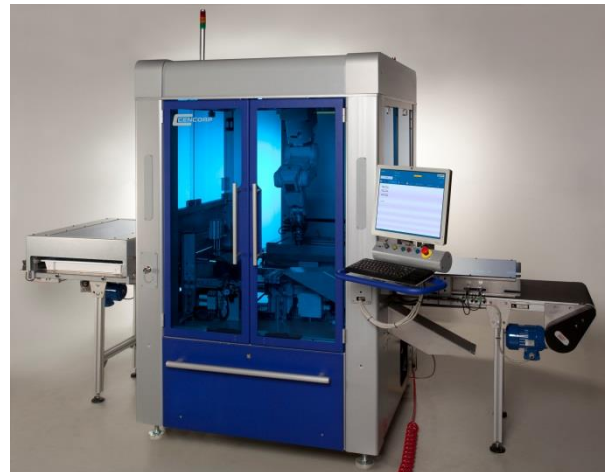
Cencorp 1300 FA

Production Automation

A Flexible Automation Platform

The Cencorp 1300 FA cell is a heavy duty production platform with standard operating software and graphical user interface. This flexible platform can easily be configured for a wide range of light assembly and part handling applications in both high volume – low mix and in low volume–high mix environments. By starting with a proven platform, custom solutions are delivered with lower cost, less technical risk, and shorter delivery time when compared to ground-up automation development.

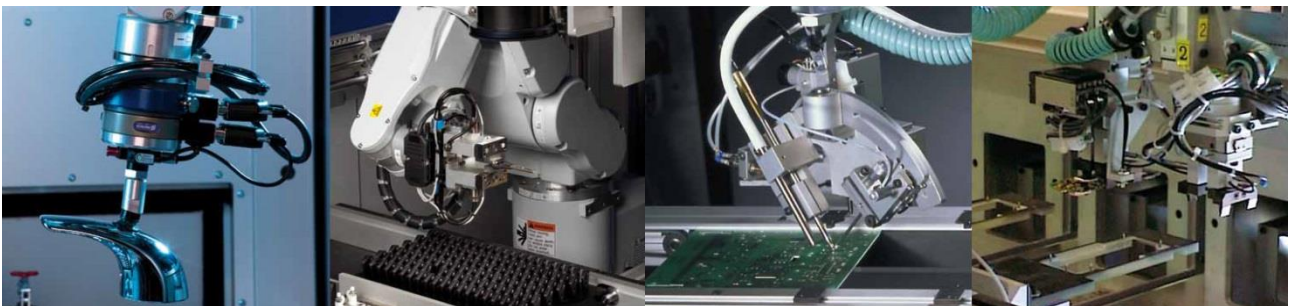
Equipped with state of the art industrial robots, the 1300 FA meets the most demanding requirements for speed and accuracy. Three different robot arms are available depending on the application need. All the robots are roof mounted allowing a large working area for the utilization of process heads, application units, feeders and transport systems.



The 1300 FA has been designed for heavy 24/7 utilization. This workhorse system allows Cencorp customers to improve manufacturing competitiveness through increased capacity, reduced labor, improved quality and production control. When combined with Cencorp line control software, Cencorp production lines are capable of true “lot size of one” flexible production.

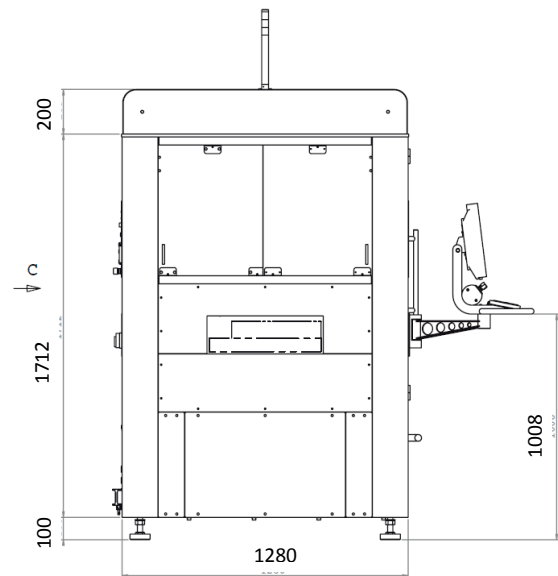
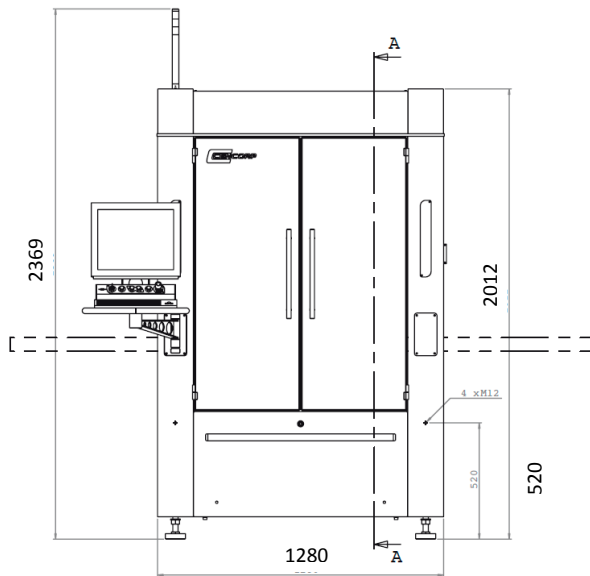
Application Experts

Process specific applications are built using Cencorp’s huge application module library and by integrating process units from 3rd party experts. The 1300 FA can be configured both as a stand-alone process unit or linked together with conveyors in a turnkey assembly line. By using proven process modules and a standard platform, Cencorp is able to deliver customized solutions with minimal technical risk and maximum ROI. Thirty years’ experience and expertise in automation, assembly processes, and manufacturing strategies, makes Cencorp a valued partner for our customers.



Cencorp 1300 FA

Technical Data



Pick & Place Work Envelope

Depending on selected robot

Accuracy

Repeatability (x,y,z): ± 0.03 mm [3 s]

Repeatability (W): ± 0.05 o [3 s]

Pick & Place Performance

Depending on selected robot

Product transfer alternatives

Edge belt conveyors

Flat belt conveyors

Pallet systems

Shuttle transfer

Turn tables

Workstation

Full range of Cencorp feeders available

Tray feeders both for vacuum formed trays and Jedec trays

Bowl feeders

Flexible feeders

Application modules

Screw drivers

Dispensers

Soldering units

Test equipment

Laser processes

Gripper System

Pneumatic grippers

Vacuum grippers

Servo gripper

Multi grippers

Graphical User Interface

Operating system: Windows

USB memory: Standard

Touch screen: Optional

Network connection: Optional

Dual Monitors: Optional

Machine Vision

CATS: Standard

Active vision as option

Fiducial reg.time: < 1 s

Software Options

CiS: Full support of all CiS (Cencorp I Solutions) functions

APCC: Automatic Program Change

Barcode support: 1D or 2D

Machine Dimensions

Width: 1280 mm

Depth: 1280 mm

Height: 2012 mm (excluding beacon)

Weight: approximately 2500 kg (depending on application)

Electrical Service Requirements

Voltage EU (USA): 400 (208) VAC 10%

Frequency EU (USA): 50 (60) Hz

Branch circuit size: 16 A

Average power cons.: 2 kVa

Pneumatics Service Requirements

Pressure: 5.7 bar

$\pm 10\%$, dry clean air

Approx. air consumption: 200 l/min

Environmental Requirements

Operating temperature: 10 - 40°C

Operating humidity (Rh): 30% - 85%