

# *Cencorp 700 LM*

Laser Applications

*Efficiency and flexibility for your circuit board marking with Cencorp 700 LM*

## **Flexible laser marking solution**

Cencorp 700 LM laser marking cell is the solution for your cost efficient laser marking needs. With different options it can also be tailored to your advanced marking or markings removal requirements. Cencorp 700 LM can also be equipped with a flip conveyor, making 2 side marking easy to handle in a single process.

## **The best choice for low cost automated marking**

When you are looking for a solution which ensures that the marking is not a bottleneck in your production in terms of a Quality, Cycle time, Change-over time and Maintenance – this machine is your choice!

## **Providing flexibility and efficiency**

Cencorp has a long experience in laser processes and the 700 LM laser marker is the result of extensive product development. The core unit meets the basic marking requirements but it can also be fitted with different options to meet the most advanced requirements. This approach is also a cost-effective and efficient solution for your individual marking needs.

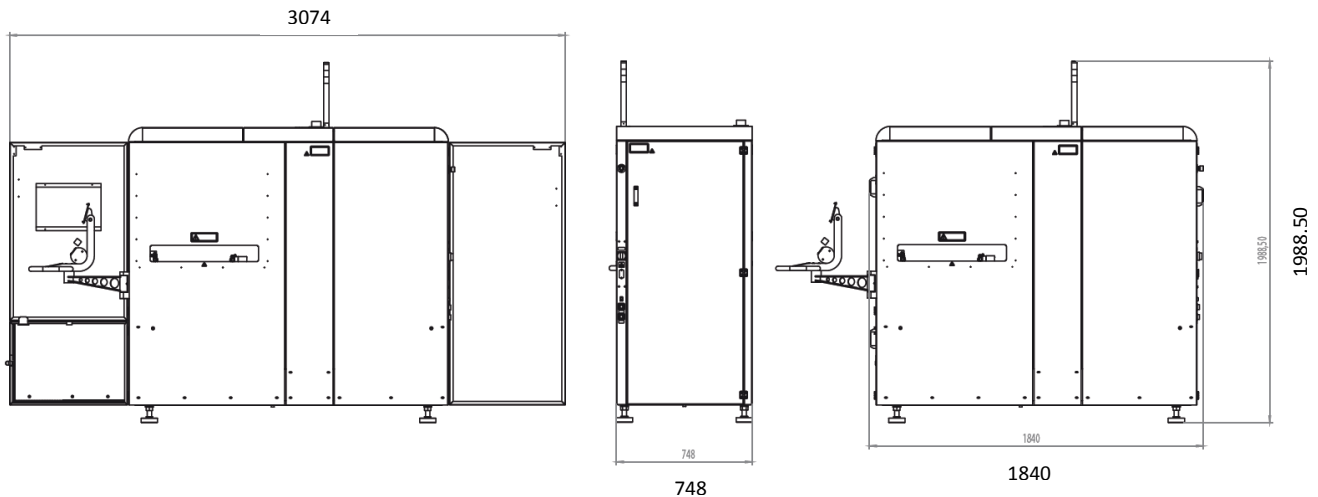
## **Platform & module strategy**

Our standard solutions are based on one platform and module strategy. If required, customer specific modules can be created to meet the marking process requirements. In effect, more process power can be packed in a smaller space.



# Cencorp 700 LM

## Technical Data



### Machine Dimensions

Width: 750mm (29.5")  
 Depth: 1841 mm (72.5")  
 Height: 1640mm (64.5") without beacon, 1980mm (78.0") with beacon  
 Weight: 1000kg (2205 lbs)

### Board Handling

Min PCB size: 50 x 70 mm (LxW)  
 Max PCB size: 516 x 480 mm (LxW)  
 Adjustable conveyor width  
 PCB Thickness: 0.6-4.0 mm  
 PCB transfer time: < 4 s  
 Transfer protocol: SMEMA  
 Transfer height: 900 ±30 mm  
 Bottom clearance: 10 mm  
 Top clearance: 70 mm  
 Edge clearance: 3 mm

### Electrical Service Requirements

Voltage EU (USA): 230 (110) VAC10%  
 Frequency EU (USA): 50 (60) Hz  
 Branch circuit size: 10A  
 Average power consumption: 500VA

### Pneumatic Service Requirements

Pressure: 5-7 bar (73-100 PSI)  
 ±10%, dry clean air  
 Approx. air consumption: 20 l/min

### Environmental Requirements

Operating temperature: 17... 28 °C (63... 82°F)  
 Operating humidity (r.h.): 30% ... 85%

### Machine Control

PLC: OMRON

### Base Standards

Light tower

### Graphical User Interface

PC with a keyboard and display

### Options

Internal board flip  
 Programmable Z-axis  
 Programmable conveyor width adjustment  
 Camera for fiducial alignment  
 Camera for 2D code quality check  
 Fiber laser  
 Connection to customer database  
 Internal fume extraction unit  
 Other options upon request

### Laser unit software

Software for marking of vector and raster graphics  
 Creation of Bar Codes and Data Matrix (solid cells or dots)  
 True type fonts  
 Sequenced marking  
 Monochrome marking on bitmap graphics  
 Possible to combine vector and raster graphic  
 Import formats for vector graphics: plt, dxf, cmx, emf, svg, ai, job, mcl  
 Import formats for bitmap graphics: bmp, jpeg, gif, tiff, tga, png, pcx  
 Line width setup with beam deflection  
 Arc text  
 Date format selection with automatic update function

### Laser unit technical spec.

Standard:  
 Active media: CO2  
 Wavelength: 10600 nm  
 Average power: 30W  
 Scanner area: 105 mm x 105 mm  
 X-Y axis: 516 mm x 480 mm  
 Programmable Z-axis: 70mm  
 Optionally other configurations are available, consult the nearest Cencorp representative.